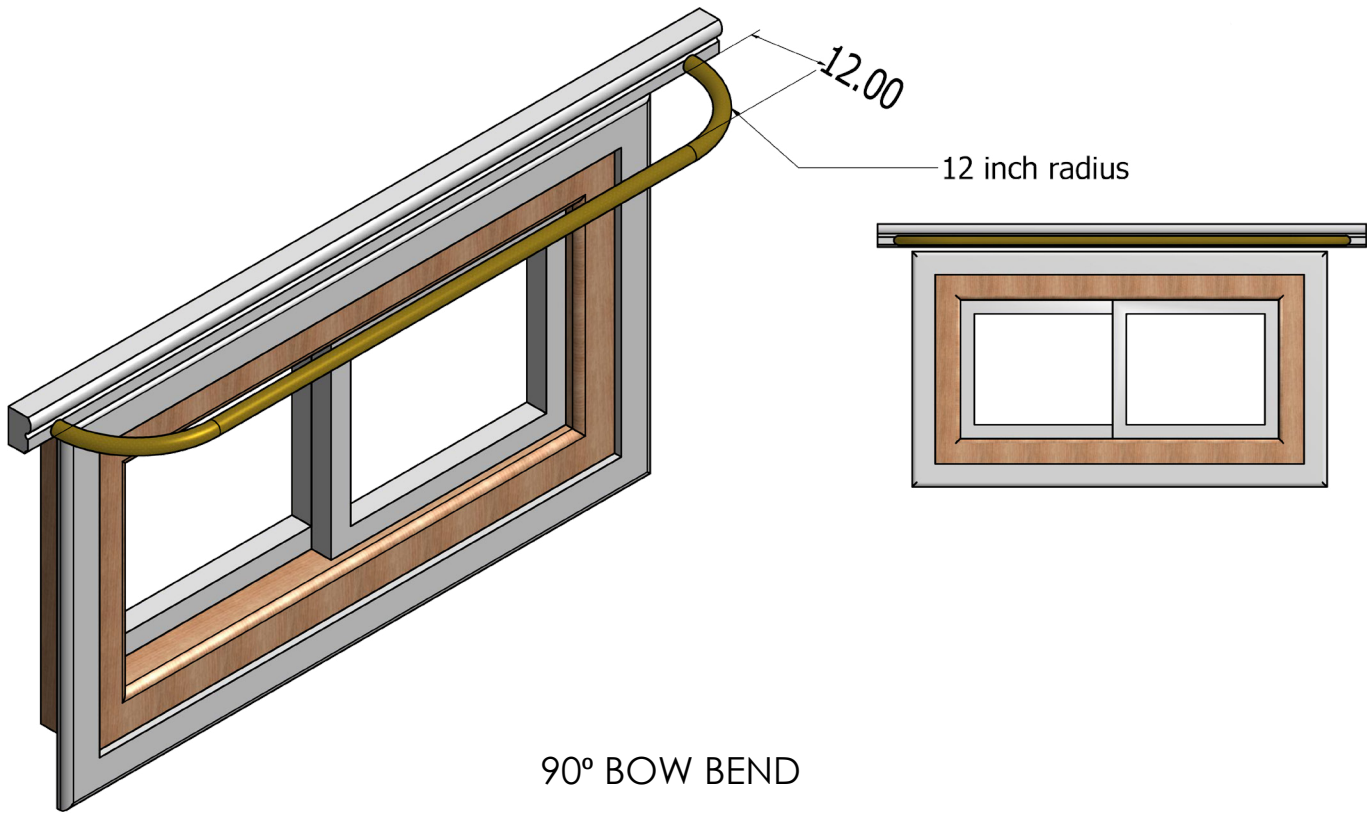


90° BAY BEND



90° BOW BEND

